

CLALLAM COUNTY AMATEUR RADIO CLUB

QTC

MARCH 07

BV Rambles

I forgot to acknowledge last month that Marian McGilvra took over the YL luncheons. To those of you who are new to the club, the YL luncheon has quite a bit of history to it which maybe we can get into print in the QTC one day soon. In any event, the luncheons are open to one and all, the only rule is the OM's sit separately from the YL's.

We had our first board meeting and the minutes are published in this QTC. Thanks to Roger, W7GRS for hosting the meeting. Future meetings will be held quarterly and open to the general membership (limited seating, but lots of standing room).

Our first reading of the review of the Bylaws went a little long due to all the discussions on various issues. It was really good to see all the participation and great ideas from the floor. Thanks to Chuck, N7HFL and Leah, KE7Ezs for taking the hot seats in running this review.

At the last meeting, Mary, AC7IY brought up our great VE team and trainers and asked for acknowledgement of the great job they have all done for this endeavor. Our trainers are Tom KE7XX, Paul W6IAM, Bob Kennedy AC7RK, Jim K7QCK, Bob McCauley NA7RM, Bob Stearns KI7ZC, Al W7YLV, Chuck WA7EBH, Kline W7CNN, and myself. Out west in the Forks area, we have Mike AD7DG, Howard AC7TZ, and Jim Smith KD7YLG. Our substitute instructors are Bob Wheeler, KD7LTH and Leah KE7Ezs. Our proctors for the exams are much the same, except Mary, AC7IY. There are others who occasionally substitute to whom we also say thank you for your support. If I missed someone, I beg forgiveness and chalk it up to crumbling mind syndrome!

What does ham radio and I Pods have in common – nothing – wrong? In a recent article in the ARRL National Contest Journal discussing headphones and how ineffective they are at preventing external noise from interfering with what you are listening to. The author went through various methods of improving "ear reception". Ear buds like those used on I Pods were the way to go. I tried a cheap pair (Radio Shack \$9.95) and found they did indeed improve what I heard, at a lower volume level, plus after the contest my ear pinnacles did not ache! So think about picking up a set for Field Day.

T'was the time of the year for the annual pilgrimage to Puyallup for the Mike and Key Flea-Market. I went down on Thursday to Kent and spend some time visiting with some members of the Mike and Key, and then proceeded down to Puyallup to help with the setup on Friday. There were lots and lots of old time (wooden cabinets era) radios this year, and of course there was plenty of modern day equipment for sale. I snagged an SMA to SO239 jumper cable for \$5.00 and for \$10.00 65ft of new Beldon 214 equivalent coax with connectors on it. I saw John Moore, K7NIA and Danny, KD7UFF and family. I am sure there were others from up here, but in the thick of the crowds on Saturday morning it is hard to see.

I thank you for the time and the space.

73, Chuck

Perhaps not everyones cup of tea, but here is what one of our neighbors in Shoreline, WA was doing as recently as 1 March:

Our 2 1/2 day passage from S. Georgia was often rough with 3 and 4 meter swells, a contrary westerly wind of up to 50 kts. So for many including me we got caught up on sleep. I developed a upper respiratory thing and with codeine cough meds and the heavy seas, my head went wild. So today the Dr. gave me other stuff and I'm making a recovery.



Today was all day in Stanley where we had previously contacted Bob VP8LP from S. Georgia. I arranged for Bob to come aboard the ship and in the afternoon we spend two hours at his qth on his FT1000MP, 200W into his 3 el SteppiR yagi. It was wonderful. The pileup was amazing on 15M and 12M SSB and CW. We worked many stations throughout EU, SA and NA including Stan SQ8AQD in Poland who had been trying so hard to set up a sked. Also worked some old friends in EA. It was just the best day on the air since we've been traveling and our great thanks to Bob for his hospitality.

Tomorrow it will be West Point Island 1100Z - 1500Z & New Island 1800Z-2100Z. Since the AM has never been good for us I suspect we won't even give it a try until the afternoon.

Thanks to all who played with us today. It sure was nice to have a beam to get good signals from the states. CU. We can't believe this outstanding trip is coming to a close. Our memories and nearly 4000 photos will have to bring us back.

--

Regards, Marc K9PET
206-546-8952
www.CasualDX.com
 click "Gallery" for DX

Remember Coffee!

We will break for coffee (decaf) and socialize for 15mins or so during the meeting. Several of us will bring coffee in thermoses or carafes to share. It would be helpful if people brought their own mugs/cups to minimize clean up'

PROGRAM FOR 14 March

Continued discussion of the Bylaw review.

ARRL Video "Last Voice from Kuwait".

2 METER NETS

CCARC :

Every Thursday 7:00 pm on the W7FEL Repeater.

ARES/RACES:

Every Tuesday except 1st Tuesday of the month at 7:00 pm on W7FEL Repeater.

W7FEL Repeater: 146.76 MHz., offset down 600 KHz. with a tone of 100 Hz.

Congratulations to those continuing great performance on Net Checkins. Here is the list of those attaining 100% for February. Well done!

N7BV Chuck*	WB8BVK Paul
KA7CSZ Marsha*	KE7DRT Nita*
KE7EZZ Leah	W7GRS Roger*
K7KEA Elizabeth	WA7LDM Jim*
KC7LTW Donald*	K5MTW Don
WA7NBF Neil	K7NIA John*
KC7NPP Theron*	W7PRS Pris*
K7QCK Jim	KJ7SK Frank*
KD7TFK Al*	K7VQF Ray*
W7WEC Bill	

The asterisk denotes those with 100% for the YEAR! Way to go!

Don't forget to let ME know IN ADVANCE if you have to miss due to absence/vacation/whatever. Don't let that Pizza Party get away.

John K7NIA
 Net Control Coordinator
 681-2425

Amateur Radio Classes and Exam:

The Clallam Country Amateur Radio Club will hold a General Class License instruction class and exam, March 17, 24, and 31st. (0900am - 1700pm).

March 17 and 24th will be devoted to instruction of the chapters in the ARRL General Class Manual <http://www.arrl.org/catalog/?item=9205#top>. March 31st will be a review of all exam questions in the morning and an Exam in the afternoon at 1300L.

Class candidates can order the book directly from the ARRL or purchase through Tom Newcomb (360-452-8228).

To register please Email n7bv@yahoo.com
 Thanks. 73, Chuck

Clallam County ARES/RACES

Clallam County ARES/RACES is actively seeking new members and would like you to consider joining. This is a chance to prepare to be part of a solution during an emergency.

The main presentation for our March meeting was Ed Bruette, N7NVP, Washington State RACES Officer and Western Washington ARRL Section Manager.

All RACES members are required to pass the FEMA/NIMS training IS-100 and IS-700. These courses are free and have been mandated by Homeland Security. They are available on-line at <http://training.fema.gov/EMIWeb/is/>.

Chuck Jones, N7BV, EC Clallam County

Guess What! It's dues time again. The By-laws call for dues to be paid in the first quarter of the year. Which is the end of this month!

To support our club and our repeater we should stay current with our dues. See Frank Doherty at a meeting or mail a check for \$20.00, made out to CCARC, to: PO Box 2562 Sequim, WA 98382

VOC Frank Doherty ARRL ARES VE

We need articles for the QTC newsletter. This is after all your newsletter.

Tell us how you became interested in Ham Radio. What did you do over the summer (just like school) huh!

The more you submit the less we have to do, or think of. Or less blank space!

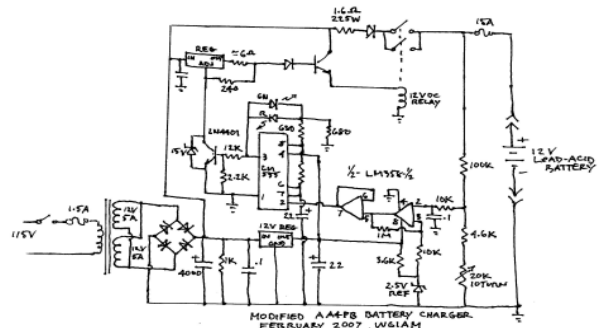
Thanks, the staff!

A Continuous Charger for Lead-acid Storage Batteries

Lead acid storage batteries can deliver the needed current to simultaneously transmit with one rig while monitoring alternate frequencies with two or three others. The downside of this arrangement is that battery voltage drops rapidly with use and most rigs don't run well on reduced voltage. How, then, to keep the battery charged to full potential without overcharging the battery or damaging the equipment it's connected to? A possible solution is to "float" a high current power supply in parallel with the battery but unless the power supply puts out 15 volts or more, it won't keep the battery fully charged and sustained voltages this high are likely to smoke your rig.

Enter a voltage sensing charger designed by Bob Lewis AA4PB, and described in the ARRL *Emergency Communications Handbook*. It's an unusual voltage sensing circuit intended to charge relatively small SLA (Sealed Lead Acid) batteries and delivers only 500 mA of charging current, but it has the advantage of being able to "float" safely on the battery while the station is operating and it can be left running indefinitely, adapting its output to changing needs. But, how to get it to deliver enough current to keep my monster diesel car battery charged?

Building the basic control circuit as shown in the *Emergency Communications Handbook* was "piece of cake." All of the parts came from my junk box with the exception of the **LM336** reference diode, obtained from *Mouser Electronics*. As for the rest, whatever you have on hand or generic substitutes from *Radio Shack* will do. The major modification to the circuit is a power transformer and bridge rectifier large enough to supply the desired charging current. I chose a 12V 10A transformer. With a heat-sinked *Radio Shack* bridge rectifier and a computer grade 4000 microfarad filter capacitor it delivers 15 Volts



DC with an 8Amp load (consisting of two sealed beam automobile headlights in parallel.) Ripple at this current reads 1.5 volts on the 'scope but, not to worry, a hefty lead-acid battery as a load flattens it to near zero as if it were a gigantic filter capacitor.

The accepted way to increase the current handling capability of a power supply is to parallel the voltage regulator with one or more power transistors. Unfortunately, that approach doesn't work with this circuit, where the regulator is switched completely on and off to create charging pulses of varying width. I tried every combination of NPN and PNP bypass transistors and buffer circuits but to no avail. The bypass transistors could not be switched completely off.. I finally solved the problem, at least for now, by using the switching regulator output to control a mechanical relay. This way may be crude and old fashioned but it allows you to switch as much current as the relay contacts can tolerate. Mine has been up and running for several days now and it behaves well. Maybe some day I'll find an all solid state solution but the brute force mechanical approach works.

CIRCUIT CHANGES

The 16.2K resistor **R12** in the original schematic is much too high. I found 4600 ohms to be about right for the 20K trip potentiometer **R13** shown. By the way, since **R13** is vari-

able, I see no reason to make the remainder of the sensor string from 1% resistors. I found no reason to use an expensive Schottky diode in the output either. Any high current rectifier will work. Since the voltage regulator in the modified circuit doesn't have to deliver current to the load, it can be operated without a heat sink. The remaining circuit modifications amount to the addition of a suitable 12 volt relay and driver transistor. The power supply output is routed directly to the load via a current limiting resistor, isolating diode,

and the relay contacts. Short circuit protection is provided by a 15 Amp fuse at the output.



Construction and layout are not critical with the exception of the stabilizing capacitors at the input and output terminals of the voltage regulator and op-amp chips. They should be located close to the chips and their leads kept as short as possible. I "breadboarded" the switching circuit on a generic pre-drilled *Radio Shack* circuit card and mounted everything on a side panel from a salvaged rack-mounted *Tektronix* oscilloscope. The cover box was formed from another side panel and the ventilated top cover. The assembly could be made much more compact but it was based on available materials and it leaves a lot of room for experimentation. If you can devise a solid state alternative to the mechanical relay, let me know and I'll give it a try. I'm always looking for better ways to do things.

Paul Honore' W6IAM

FOR SALE OR TRADE

~ ~ ~ ~ ~ ~ ~ ~

HF TriBand Beam ant. \$100.00

Jim Cloud WA7LDM 457-9299

~ ~ ~ ~ ~ ~ ~ ~

Dual-band (2m,440) J-pole antennas for sale for \$15. See: <http://www.arrowantennas.com/j-pole.html> These antennas are made by Burt, KN7R on a special deal where the \$15.00 goes to the ARES/RACES bank account. You will need to purchase a U-bolt, sized for your mast and drill the needed holes. Chuck Jones 452-4672

~ ~ ~ ~ ~ ~ ~ ~

Repeater News

The Carlsborg remote receiver has been moved to the area of Cays and Lotzgesell in the north west area of Sequim. It is about 2 miles north of Joe's old granite shop and on a knoll with a reasonably good view in all directions. The UHF link to Striped Peak appears clean and in a car with a rubber duck antenna coverage is possible from downtown Sequim.

Remember, when listening.... the courtesy tone on the remote receiver is two beep tones in lieu of the single beep tone that is normal when using the Striped Peak receiver.

Thanks,
Bob Sampson/Steve Debiddle

So you say the schematic on the previous page is too small to read. Well by the magic of the modern PC it really isn't.

Double click on it and it should open in one of the MS drawing programs where you can now resize it and print it as necessary, or read it on the screen.

If that doesn't work, click on it, right mouse click and then copy and paste it into a drawing program or into MS-word or some other such program to see or print it.

**CLALLAM COUNTY AMATEUR RADIO CLUB
BOARD OF DIRECTORS MEETING 14 FEB. 07**

Board members present: Tom Newcomb KE7XX, Frank Doherty KJ7SK, Bob Sampson K6MBY, Chuck Jones N7BV, Roger Steelman W7GRS, Rich Golding N7NCN.

Visitor: Shirley Newcomb KC7ZQA.

The meeting's business mostly involved Club finances, budget, and related aspects.

Regarding Club income, it is noted that some regular members are not paying dues; the dues haven't changed for many years; dues are the same for an individual or a family, and consideration was given to having spouses and other members of a family pay dues at a reduced rate. Also discussed was the possibility of allowing voting privileges for only those who pay dues, and are properly paid up. The Membership Directory could also be affected, as it is not strictly a listing of paid-up club members and family members.

Also discussed was the possibility and the pro and con of "cutting off" benefits to those who don't pay their dues by March 31st (or whatever date, if changed in the by-laws).

Chuck Jones proposed creating a spreadsheet (quarterly?) to check the status of paid membership.

A detailed budget is to be established to help track Club needs and expenses.

As the repeater repair funds are co-mingled in the only account the Club has, Bob Sampson suggested that a level reserve account be created to hold repair funds, and that the account be replenished annually, as needed.

Expenses for Club printing needs and expenses for the biennial picnic with the Victoria Ham Club will be budgeted in alternate years.

Tom Newcomb advised that the Club makes a percentage on the sales of ARRL books (30 to 40 books per year).

There was discussion on the importance of retaining new Hams in the hobby, and it was suggested that the Club hold a "Newcomer Lunch" to help new Hams with getting on the air and in other ways. It was suggested that Club members could sponsor a new Ham (paying for the lunch). However, the idea that the Club subsidize the costs held more favor.

It was brought up that the Club used to have a raffle

at the business meetings, and it was suggested that the Club do so again. It was moved that we hold a raffle, with 50% of the money brought in go to the Club general fund, and 50% to the winner of the drawing held at the meeting. The motion was seconded. It passed.

Recognizing that there has been no audit of Club funds for some time, the motion was made to have an annual audit. The motion was seconded, and passed. Roger Steelman will do the next audit.

Food for Field Day was discussed; the Steelmans will provide same in a manner similar to past years.

Regarding the Olyham website on Tenforward.com, we are advised that Sheldon Koehler is trying to retain the website on the same basis as in the past. Action is pending.

Roger Steelman asked Priss Steelman to consider looking after the website, to relieve some of the burden on Casey Hicks, who has been maintaining it. The item remains under consideration.

The Board will meet quarterly conduct its business and planning, during the middle month of each quarter. A more specific day and time will be decided later. The next meeting will be in May.

An ARRL legislative alert was passed out and discussed. State government is proposing a bill to outlaw the use of wireless devices such as cell phones while driving, but is so broadly worded that mobile Ham radio operation, delivery operations, etc., are at risk.

There will be a reading of the proposed Club bylaw changes at the Club meeting tonight.

The meeting was then adjourned.

Minutes by Rich Golding, Secretary.

**CLALLAM COUNTY AMATEUR RADIO CLUB
Minutes of the General Meeting
February 14, 2007**

The meeting was called to order at 7:04 p.m. by Chuck N7BV, President.

Introductions were made around. Birthdays in February were acknowledged.

It was moved and seconded that the previous month's meeting minutes be approved as published. The motion passed.

Field Day was discussed. It was announced that Chuck Stroeher WA7EBH will head up Field Day. There will be no big changes to the way Field Day will be done, but it is expected we will have better antennas. Chuck Jones N7BV would like to use computer logging all around. He and Bill Carter can provide enough laptops to meet the need.

Chuck McGilvra N7HFL expressed concern over interference among the stations, and asked if we could also use the field south of where we set up (south of the entrance road).

Tom Newcomb KE7XX will need an antenna for his operation at Field Day.

The proposed changes to the Club's Bylaws commenced, and progressed to Article IX, Section 4. There, the discussion bogged down and we ran out of time. The discussion will resume at the next meeting.

Mary Tate AC7IY noted the large number of examinees at the last VE exam and complimented the examiners.

Rich Golding N7NCN spoke briefly about the need to keep the meeting room clean and neat.

Frank Doherty KJ7SK won the drawing.

It was moved, seconded, and passed, to adjourn the meeting, which happened at 9:05 PM. There were twenty one members and guests present.

Minutes by Rich N7NCN

~ ~ ~ ~ ~

FROM OUR TREASURER:

The bank balance as of Feb 24 is \$5834.16

VOC Frank Doherty ARRL VE

~ ~ ~ ~ ~

COMING EVENTS

~ ~ ~ ~ ~

Yakima Hamfest (and fleas and VE testing)
14 April 2007

Stanwood Hamfest & Flea Market
12 May 2007

~ ~ ~ ~ ~

CLUB OFFICERS For 2006

President: Chuck Jones N7BV

360-452-4672 n7bv@yahoo.com

Vice President: Bob Sampson K6MBY

360-582-9116 k6mby@olympen.com

Secretary: Rich Golding N7NCN

360-683-9309 n7ncn@myfam.com

Treasurer: Frank Doherty KJ7SK

360-681-0691 kj7sk@arrl.net

Board Member: Roger Steelman W7GRS

360-681-3534 w7grs@olympen.com

Board Member: Tom Newcomb

360-452-8228 ke7xx@arrl.net

Board Member: Bob Kennedy AC7RK

360-457-6177

YL LUNCHEON

April 13th
Oak Table
Sequim
Time: 11:45 a.m.

2007 YL Luncheons:

April: Oak Table
May: Downrigger
June: Danny's
July: Café Garden
August: Tarcisio's
September: Sergio's
October: Fortune Star
November: Chestnut Cottage
December: Petal's

**Find us on the web at
www.olyham.com
Check it out. Lots of
information about ham radio
in Clallam County!**

Description	Time/Date	Location	Contact
Clallam County ARES/RACES meeting	7 pm, first Tue of every month	Clallam County Courthouse EOC, 223 E. 4 th St., PA	Chuck Jones N7BV 360-452-4672
Clallam County Amateur Radio Club general meeting	7 pm, second Wed of every month	Port Angeles Fire Station 5 th & Laurel Streets, PA	Tom Newcomb KE7XX 360-452-8228
Clallam County Amateur Radio Club social breakfast	8 am, first Sat of every month	Joshua's Restaurant Hwy. 101 & Del Guzzi Dr.	Tom Newcomb KE7XX 360-452-8228
Clallam County Amateur Radio Club YL social lunch	11:45 am 2d Fri of every month	Rotates - announced on Thursday night Net	

BIRTHDAYS:

John Harton N6QD 03/02
David Tate N7WSM 03/05
Dan Abbott N7DWA 03/09
Bob Benson W2HZF 03/12
Richard Welch KD7YSG 03/14
Tom Newcomb KE7XX 03/24
Robert Pearson W6FEH 03/28

Happy Birthday!

**Call Sign Badges
By WB8BVK**

Don't be a stranger at club meetings, hamfests or public service events. Wear a durable engraved name & call sign badge to let others know who you are. Available in 1" x 3" or 1-3/4" x 3" in assorted colors and finishes. Reasonable prices from a local source. Custom jobs up to 5" x 8" (custom front panels, door signs, desk plates, clipboards, etc.). See Paul, WB8BVK, at the CCARC meetings or email at pbenadum@earthlink.net.

Buy local!